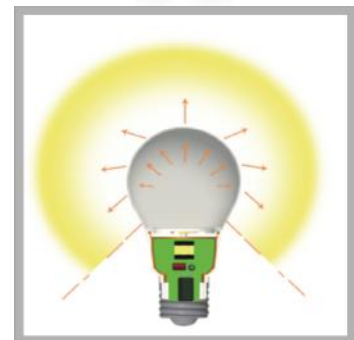


LED A60/A19

Benefits:

- Perfect retrofit solution for traditional **60W**
- With a beam angle of **300°** offering **spherical & even light distribution**
- Simple housing design, easy to install and replace
- Overall cooling design
- Lower maintenance cost
- UV/IR free light
- CRI>80 + CRI>90 available
- E27 or E26 socket base



Applications:

- Homes
- Shops & stores
- Restaurants & cafes
- Hotels
- Galleries & museums
- Offices

General Characteristics:

Item	Watt (W)	Voltage (V)	Luminous Flux (lm)	CRI (Ra)	CCT (K)	Beam Angle (°)	PF	Class
A60-4.5W	4.5W	100-277V	840lm	≥80	2700K-6500K	300°	0.5/0.9	B
A60-5.2W	5.2W	100-277V	840lm	≥80	2700K-6500K	300°	0.5/0.9	C
A60-6W	6W	100-277V	840lm	≥80	2700K-6500K	300°	0.5/0.9	D
A60-7.5W	7.5W	100-277V	840lm	≥80	2700K-6500K	300°	0.5/0.9	E

Cautions:

- Please read the contents on the box and label carefully before installation.
- Check if the specification e.g. voltage, current etc meet the requirements.
- Dry indoor environment use only.
- Power must be cut off before installation, replacement and cleaning.
- Don't touch the bulb while it is on or immediately after turning it off, wait 15 minutes for bulb to cool down.

Remarks:

- Power consumption tolerance: +/- 10%.
- Luminous flux & cd tolerance: +/-10%
- Working temp. -20°C – 40°C.
- Length: 109mm – Diameter: 60mm
- Approx. 10-15% less lumen with CRI90 or dimmable versions.
- 120V or 220V for dimmable versions.

*Photos, descriptions and details of the product are subject to change without previous notice.



LED A65

Benefits:

- Perfect retrofit solution for places where high light output is required
- Made with high efficacy LED chips
- Simple housing design, easy to install and replace
- Overall cooling design
- Lower maintenance cost
- UV/IR free light
- CRI>80 + CRI>90 available
- E27 or E26 socket base



Applications:

- Homes
- Shops & stores
- Restaurants & cafes
- Hotels
- Galleries & museums
- Offices

General Characteristics:

Item	Watt (W)	Voltage (V)	Luminous Flux (lm)	CRI (Ra)	CCT (K)	Beam Angle (°)	PF	Class
A65-10W	10W	100-277V	1600lm	≥80	2700K-6500K	150°	0.5/0.9	C
A65-12W	12W	100-277V	1650lm	≥80	2700K-6500K	150°	0.5/0.9	D
A65-13W	13W	100-277V	1500lm	≥80	2700K-6500K	150°	0.5/0.9	E

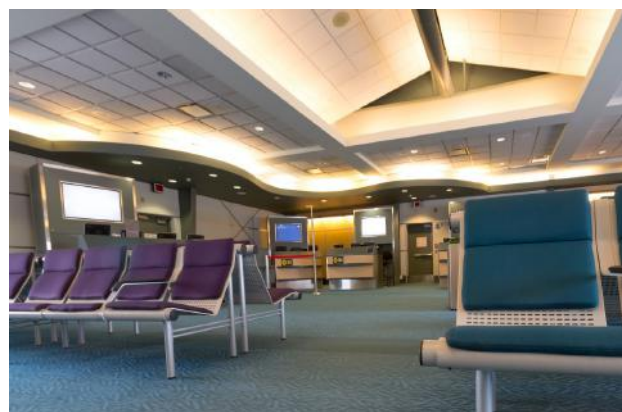
Cautions:

- Please read the contents on the box and label carefully before installation.
- Check if the specification e.g. voltage, current etc meet the requirements.
- Dry indoor environment use only.
- Power must be cut off before installation, replacement and cleaning.
- Don't touch the bulb while it is on or immediately after turning it off, wait 15 minutes for bulb to cool down.

Remarks:

- Power consumption tolerance: +/- 10%.
- Luminous flux & cd tolerance: +/-10%
- Working temp. -20°C – 40°C.
- Length: 124mm – Diameter: 65mm
- Approx. 10-15% less lumen with CRI90 or dimmable versions.
- 120V or 220V for dimmable versions.

*Photos, descriptions and details of the product are subject to change without previous notice.



LED A60 PIR Sensor



Benefits:

- LED bulbs with PIR motion sensor, automatically activating under movement or presence
- Simple to install & replace
- Longer lifespan compared to traditional incandescent bulbs
- 2700K to 6500K
- CRI80
- E27 or E26 socket available

General Characteristics:

Item	Watt (W)	Voltage (V)	Lumen (lm)	CCT (K)	Beam Angle (°)	Dimension (mm)
APIR7W	7	100-240V	650-700lm	2700K-6500K	220°	60*119mm
APIR9W	9	100-240V	750-800lm	2700K-6500K	220°	60*119mm
APIR12W	12	100-240V	1100-1200lm	2700K-6500K	220°	60*126mm
APIR15W	15	100-240V	1400-1500lm	2700K-6500K	220°	60*126mm
APIR18W	18	100-240V	1700-1800lm	2700K-6500K	220°	65*134mm

Cautions:

- Please read the contents on the box and label carefully before installation.
- Don't use in closed/sealed fixtures.
- Check if the specification e.g. voltage, current etc meet the requirements.
- Dry indoor environment use only.
- Power must be cut off before installation, replacement and cleaning.
- Don't touch the bulb while it is on or immediately after turning it off. Please wait 15 min. for bulb to cool down.

Remarks:

- Power consumption tolerance: +/- 10%.
- Luminous flux & cd tolerance: +/-10%

LED A60

Day & Night Sensor



Benefits:

- LED bulbs with day & night sensor, automatically activating at nighttime & deactivating at sunrise
- Simple to install & replace
- Longer lifespan compared to traditional incandescent bulbs
- 2700K to 6500K
- CRI80
- E27 or E26 socket available

General Characteristics:

Item	Watt (W)	Voltage (V)	Lumen (lm)	CCT (K)	Beam Angle (°)	Dimension (mm)
ADNS9W	9	100-240V	750-800lm	2700K-6500K	220°	60*110mm
ADNS11W	11	100-240V	800-900lm	2700K-6500K	220°	65*124mm

Cautions:

- Please read the contents on the box and label carefully before installation.
- Don't use in closed/sealed fixtures.
- Check if the specification e.g. voltage, current etc meet the requirements.
- Dry indoor environment use only.
- Power must be cut off before installation, replacement and cleaning.
- Don't touch the bulb while it is on or immediately after turning it off. Please wait 15 min. for bulb to cool down.

Remarks:

- Power consumption tolerance: +/- 10%.
- Luminous flux & cd tolerance: +/-10%

LED A60

Emergency Function



Benefits:

- LED bulbs with rechargeable & emergency function, to be used under power failure
- Simple to install & replace
- Longer lifespan compared to traditional incandescent bulbs
- 2700K to 6500K
- CRI80
- E27 or E26 socket available

General Characteristics:

Item	Watt (W)	Voltage (V)	Lumen (lm)	CCT (K)	Beam Angle (°)	Dimension (mm)	Remark
AE7W-3h	7	100-240V	750-800lm	2700K-6500K	220°	60*117mm	150lm-75lm 3 hrs charging/discharging time
AE7W-6h	7	100-240V	750-800lm	2700K-6500K	220°	60*125mm	150lm-75lm 6 hrs charging/discharging time
AE15W-12h	15	100-240V	1400-1500lm	2700K-6500K	220°	90*188mm	700lm-75lm 12 hrs charging/discharging time
AE25W-24h	25	100-240V	2400-2500lm	2700K-6500K	220°	110*206mm	1000lm-75lm 24 hrs charging/discharging time

REMARKS:

- 150lm/700lm/1000lm is the efficiency at the beginning of the emergency time.
- This will gradually lower to 75lm upon reaching its final discharging time.
- 3hrs/6hrs/12hrs/24hrs are the hours needed to charge and discharge.



Cautions:

- Please read the contents on the box and label carefully before installation.
- Don't use in closed/sealed fixtures.
- Check if the specification e.g. voltage, current etc meet the requirements.
- Dry indoor environment use only.
- Power must be cut off before installation, replacement and cleaning.
- Don't touch the bulb while it is on or immediately after turning it off. Please wait 15 min. for bulb to cool down.

Remarks:

- Power consumption tolerance: +/- 10%.
- Luminous flux & cd tolerance: +/-10%

LED GU10

Benefits:

- Perfect retrofit solution for 50W GU10 halogen bulbs
- Simple housing design, easy to install and replace
- Overall cooling design
- Lower maintenance cost
- UV/IR free light
- CRI>80 + CRI>90 available
- GU10 socket base
- Optional version with adjustable beam angle between 38° & 60°



Applications:

- Homes
- Shops & stores
- Restaurants & cafes
- Hotels
- Galleries & museums
- Offices

General Characteristics:

Item	Watt (W)	Voltage (V)	Luminous Flux (lm)	CRI (Ra)	CCT (K)	Beam Angle (°)	PF
GU10-6W	6W	100-277V	600lm	≥80	2700K-6500K	38° / 60°	0.5/0.9
GU10-6W	6W	100-277V	700lm	≥80	2700K-6500K	38° / 60°	0.5/0.9

Cautions:

- Please read the contents on the box and label carefully before installation.
- Check if the specification e.g. voltage, current etc meet the requirements.
- Dry indoor environment use only.
- Power must be cut off before installation, replacement and cleaning.
- Don't touch the bulb while it is on or immediately after turning it off, wait 15 minutes for bulb to cool down.

Remarks:

- Power consumption tolerance: +/- 10%.
- Luminous flux & cd tolerance: +/-10%
- Working temp. -20°C – 40°C.
- Length: 56mm – Diameter: 50mm
- Approx. 10-15% less lumen with CRI90 or dimmable versions.
- 120V/220V for dimmable versions.

*Photos, descriptions and details of the product are subject to change without previous notice.



LED MR16 7W dimmable & non-dimmable

Benefits:

- Perfect retrofit solution for 50W MR16 halogen bulb
- Simple housing design, easy to install and replace
- Housing material: Heat conductive plastic and aluminum
- Overall cooling design, low light attenuation
- Up to 80% energy saving
- Lower maintenance cost
- UV & IR free light
- CRI>80 and CRI>90 available



MR16 Dimmable

Applications:

- Accent lighting
- Shops
- Restaurants
- Hotels
- Galleries
- Exhibitions
- Museums
- Residential



MR16 Non-dimmable

General Characteristics:

Item	Luminous Flux (lm)	CRI (Ra)	CCT (K)	Beam Angle (°)	Watt (W)	Voltage (V)	Base	Dimmable
MR7W30K	520	80	3000	25°/38°/60°/100°/110°	6.5W	12V	GU5.3	NO
MR7W40K	550	80	4000	25°/38°/60°/100°/110°	6.5W	12V	GU5.3	NO
MR7W30KC90	500	90	3000	25°/38°/60°/100°/110°	6.5W	12V	GU5.3	NO
MR7W40KC90	520	90	4000	25°/38°/60°/100°/110°	6.5W	12V	GU5.3	NO

MR7W30K-D	500	80	3000	10°/15°	6.5W	12V	GU5.3	YES
MR7W30KC90-D	480	90	3000	10°/15°	6.5W	12V	GU5.3	YES

Cautions:

- Please read the contents on the box and label carefully before installation.
- Don't use in closed/sealed fixtures.
- Check if the specification e.g. voltage, current etc meet the requirements.
- Dry indoor environment use only.
- Power must be cut off before installation, replacement and cleaning.
- Don't touch the bulb while it is on or immediately after turning it off. Please wait 15 min. For bulb to cool down.

Remarks:

- Power consumption tolerance: +/- 10%.
- Luminous flux & cd tolerance: +/-10%.
- Also in 5000K or 6000K & available upon request.
- PF: 0.5



LED Candle Bulb 5W dimmable

Benefits:

- Perfect retrofit solution for traditional 40W Incandescent light bulb
- Simple housing design, easy to install and replace
- Up to 80% energy saving
- Lower maintenance cost
- UV & IR free light
- **CRI>90 & CRI>80**
- Clear + milky version available



Applications:

- Accent lighting
- Shops
- Restaurants
- Hotels
- Galleries
- Exhibitions
- Museums
- Bars, Cafes

General Characteristics:

Item	Watt (W)	Lum. Flux (lm)	CRI (Ra)	CCT (K)	Beam Angle	Voltage (V)	Dimmable	Base
C5W27K-D	5W	430	80	2700	200°	120V/220V	YES	E14
C5W40K-D	5W	450	80	4000	200°	120V/220V	YES	E14



Cautions:

- Please read the contents on the box and label carefully before installation
- Don't use in close/sealed fixture
- Check if the specification e.g. voltage, current etc meet requirements or not
- Dry indoor environment use only
- Power must be cut off before installation, replacement and cleaning
- E12 socket also available upon request

LED PAR30 10W dimmable & non-dimmable

Benefits:

- Perfect retrofit solution for 60W PAR30 halogen bulb
- Simple housing design, easy to install and replace
- Housing material: Heat conductive plastic and aluminum
- Overall cooling design, low light attenuation
- Up to 80% energy saving
- Lower maintenance cost
- UV & IR free light
- CRI>80 and CRI>90 available
- IP65, suitable for outdoor/exterior
- Long neck version available upon request
- 2 cover reflectors to choose from



Applications:

- Accent lighting
- Shops
- Restaurants
- Hotels
- Galleries
- Museums
- Residential
- Outdoor, Exterior



General Characteristics:

Item	Luminous Flux (lm)	CRI (Ra)	CCT (K)	Beam Angle (°)	Watt (W)	Voltage (V)	Base	Dimmable
PAR30-10W-D	780	80	3000-6500K	24°, 38°	10	120V or 220V	E27	YES
PAR30-10W	800	80	3000-6500K	24°, 38°	10	120V or 220V	E27	NO
PAR30-10WC90-D	750	90	3000-6500K	24°, 38°	10	120V or 220V	E27	YES
PAR30-10WC90	780	90	3000-6500K	24°, 38°	10	120V or 220V	E27	NO

Cautions:

- Please read the contents on the box and label carefully before installation
- Don't use in closed/sealed fixtures
- Check if the specification e.g. voltage, current etc meet the requirements
- Power must be cut off before installation, replacement and cleaning

Remarks:

- Power consumption tolerance: +/- 10%.
- Luminous flux tolerance: +/-10%
- Dimension normal neck: 91mm x 95mm – Weight: 144g
- Dimension long neck: 116mm x 95mm – Weight: 148g
- PF: 0.9
- 16°-18° beam angle also available

*Photos, descriptions and details of the product are subject to change without previous notice.



LED PAR38

Benefits:

- Perfect retrofit solution for 100W PAR38 halogen bulbs
- Simple housing design, easy to install and replace
- Overall cooling design
- Lower maintenance cost
- UV/IR free light
- CRI>80 + CRI>90 available
- E27 or E26 socket base
- IP65, suitable for outdoor/exterior
- 2 different reflectors to choose from



Applications:

- Homes
- Shops & stores
- Restaurants & cafes
- Hotels
- Galleries & museums
- Offices

General Characteristics:

Item	Watt (W)	Voltage (V)	Luminous Flux (lm)	CRI (Ra)	CCT (K)	Beam Angle (°)	PF
PAR38-15W	15W	100-277V	1350lm	≥80	2700K-6500K	24° / 38°	0.5/0.9

Cautions:

- Please read the contents on the box and label carefully before installation.
- Check if the specification e.g. voltage, current etc meet the requirements.
- Dry indoor environment use only.
- Power must be cut off before installation, replacement and cleaning.
- Don't touch the bulb while it is on or immediately after turning it off, wait 15 minutes for bulb to cool down.

Remarks:

- Power consumption tolerance: +/- 10%.
- Luminous flux & cd tolerance: +/-10%
- Working temp. -20°C – 40°C.
- Length: 135mm – Diameter: 121mm
- Approx. 10-15% less lumen with CRI90 or dimmable versions.
- 120V/220V for dimmable versions.

*Photos, descriptions and details of the product are subject to change without previous notice.



LED PAR30 22W non-dimmable

High Lumen Efficiency

Benefits:

- **High candela output**
- Simple housing design, easy to install and replace
- Overall cooling design
- Up to 80% energy saving
- Lower maintenance cost
- UV & IR free light
- CRI>80 and CRI>90 available



Applications:

- Accent lighting
- Shops
- Restaurants
- Hotels
- Galleries
- Museums
- Residential

General Characteristics:

Item	Watt (W)	Candela (cd)	Lm/W	Beam Angle (°)	CRI (Ra)	CCT (K)	Voltage (V)	Base	LED Module
PAR30-22W	22W	15000	85-95	15°	80	2700-6500K	100-240V	E27	COB
PAR30-22W	22W	10000	85-95	25°	80	2700-6500K	100-240V	E27	COB
PAR30-22W	22W	4000	85-95	35°	80	2700-6500K	100-240V	E27	SMD

Cautions:

- Please read the contents on the box and label carefully before installation
- Don't use in closed/sealed fixtures
- Check if the specification e.g. voltage, current etc meet the requirements
- Power must be cut off before installation, replacement and cleaning

Remarks:

- Power consumption tolerance: +/- 10%.
- Luminous flux & candela tolerance: +/-10%
- Dimension 95mm x 128mm – Weight: 190g
- PF0.5 OR PF0.9
- IP40
- PBT Cover + Body

LED PAR30 30W & 35W

High Power



Benefits:

- **High power versions**
- Simple housing design, easy to install and replace
- Overall cooling design
- Up to 80% energy saving
- Lower maintenance cost
- UV & IR free light
- CRI>80 and CRI>90 available
- Pure aluminum housing

Applications:

- Accent lighting
- Shops
- Restaurants
- Hotels
- Galleries
- Museums
- Residential

General Characteristics:

Item	Watt (W)	Lm/W	Beam Angle (°)	CRI (Ra)	CCT (K)	Voltage (V)	Base	PF	Dimension (mm)
PAR30-30W	30W	100	38°	80	2700-6500K	100-240V	E27	0.9	95*130
PAR30-35W	35W	100	38°	80	2700-6500K	100-240V	E27	0.9	95*130

Cautions:

- Please read the contents on the box and label carefully before installation.
- Don't use in closed/sealed fixtures.
- Check if the specification e.g. voltage, current etc meet the requirements.
- Power must be cut off before installation, replacement and cleaning.

Remarks:

- Power consumption tolerance: +/- 10%.
- Luminous flux & candela tolerance: +/-10%

LED AR111 14W G53 + GU10

Benefits:

- Perfect solution for commercial + retail applications
- Simple housing design, easy to install and replace
- Overall cooling design, low light attenuation
- Up to 80% energy saving
- Lower maintenance cost
- UV & IR free light
- CRI>80 + CRI>90 available

Applications:

- Hotels
- Restaurants
- Shops
- Galleries
- Museums
- Supermarkets
- Offices
- Shopping Centers



General Characteristics:

Item	Watt	Luminous Flux (lm)	CRI (Ra)	CCT (K)	MOD (mm)	MOL (mm)	Voltage (V)	Base	Beam Angle	Dimm
AR111-14WGU10	14W	1000	80	2700K-6500K	111	70	120/220V	GU10	24°/45°	NO
AR111-14WC90GU10	14W	800	90	2700K-6500K	111	70	120/220V	GU10	24°/45°	NO
AR111-14WGU10-D	14W	900	80	2700K-6500K	111	70	120/220V	GU10	24°/45°	YES
AR111-14WC90GU10-D	14W	700	90	2700K-6500K	111	70	120/220V	GU10	24°/45°	YES
AR111-14WG53	14W	1000	80	2700K-6500K	111	70	12V	G53	24°/45°	NO
AR111-14WC90G53	14W	800	90	2700K-6500K	111	70	12V	G53	24°/45°	NO

Cautions:

- Please read the contents on the box and label carefully before installation
- Check if the specification e.g. voltage, current etc meet the requirements
- Power must be cut off before installation, replacement and cleaning
- Don't touch the bulb/luminaire while it is on or immediately after turning it off. Please wait 15 min. for bulb to cool down.

Remarks:

- Power consumption tolerance: +/- 10%.
- Luminous flux & cd tolerance: +/-10%
- PF GU10: 0.9 – PF G53: 0.5



LED AR111 GU10 12W

PU Version

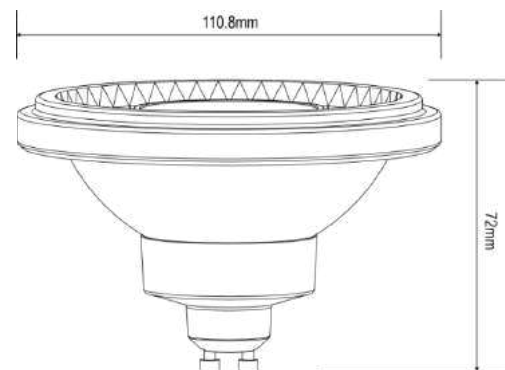
Benefits:

- Up to 1200lm
- Anti-glare design UGR<19
- Interchangeable beam angles using extra lenses
- 12°/24°/38°/60°
- Simple housing design, easy to install and replace
- Up to 80% energy saving
- Lower maintenance cost
- UV & IR free light
- CRI>80, CRI>90 or CRI>95
- Standard AR111 size, light weight
- Perfect for accent lighting, shops, stores, supermarkets, hotels, and more
- Dimmable version also available
- IP54

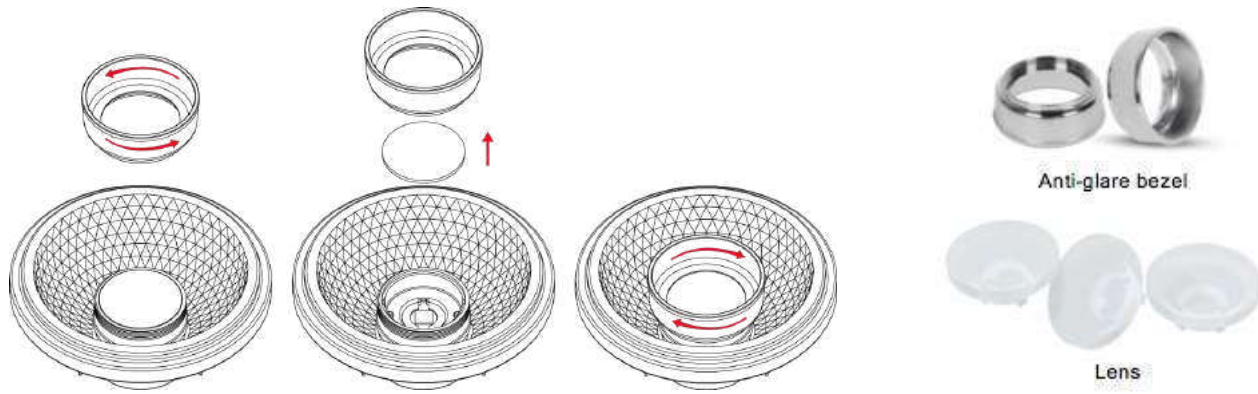


General Characteristics:

POWER:	12W
LED:	CREE
VOLTAGE:	AC100-240V
CCT:	2700K, 3000K, 4000K, 5000K
LUMEN OUTPUT:	
	2700K – 84lm/W
	3000K – 88lm/W
	4000K – 92lm/W
	5000K – 100lm/W
CRI:	>80
PF:	0.9
OP. TEMP.:	-10°C - +60°C
LIFESPAN:	50000 hrs
IP:	54
WEIGHT:	125g
FINISH:	Aluminum made. Silver color



✓ INTERCHANGEABLE BEAM ANGLE & ANTI-GLARE

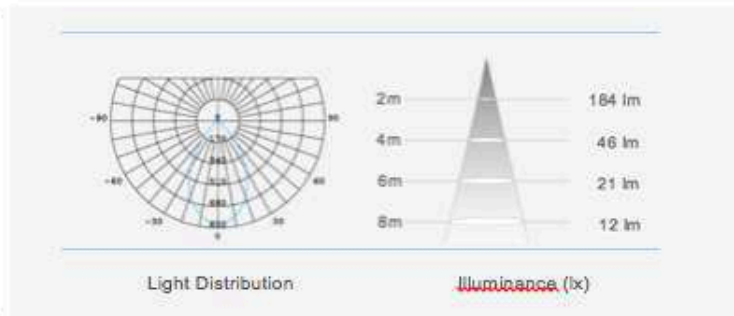
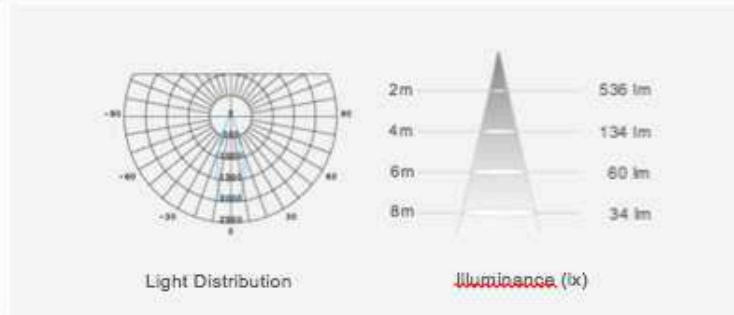
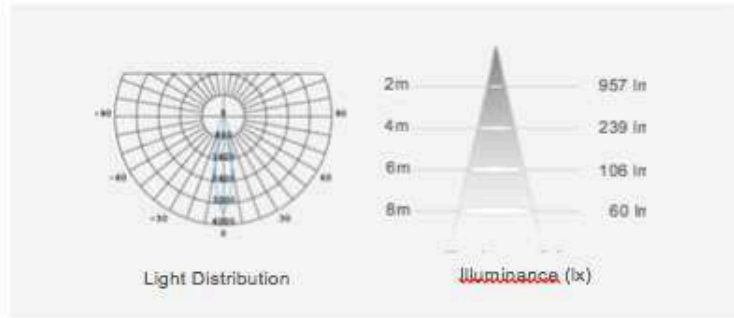


✓ STANDARD SIZE & LIGHT-WEIGHT



✓ HIGH EFFICIENCY & VARIOUS OPTIONS AVAILABLE FOR EVERY NEED

IES test result of spotlight 24° 38° 60°



Cautions:

- Please read the contents on the box and label carefully before installation.
- Don't use in closed/sealed fixtures.
- Check if the specification e.g. voltage, current etc meet the requirements.
- Power must be cut off before installation, replacement and cleaning.
- Don't touch the bulb while it is on or immediately after turning it off.

Remarks:

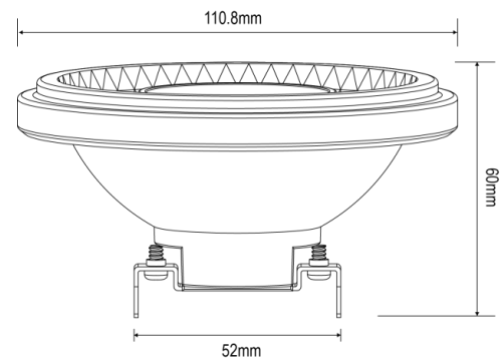
- Power consumption tolerance: +/- 10%
- Luminous flux & cd tolerance: +/-10%
- Values shown above are CRI>80
- CRI>90 + CRI>95 also available upon request

LED AR111 G53 12W

PU Version

Benefits:

- Up to 1200lm
- Anti-glare design UGR<19
- Interchangeable beam angles using extra lenses
- 12°/24°/38°/60°
- Simple housing design, easy to install and replace
- Up to 80% energy saving
- Lower maintenance cost
- UV & IR free light
- CRI>80, CRI>90
- Standard AR111 size, light weight
- Perfect for accent lighting, shops, stores, supermarkets, hotels, and more
- Dimmable version also available (external driver)
- IP54

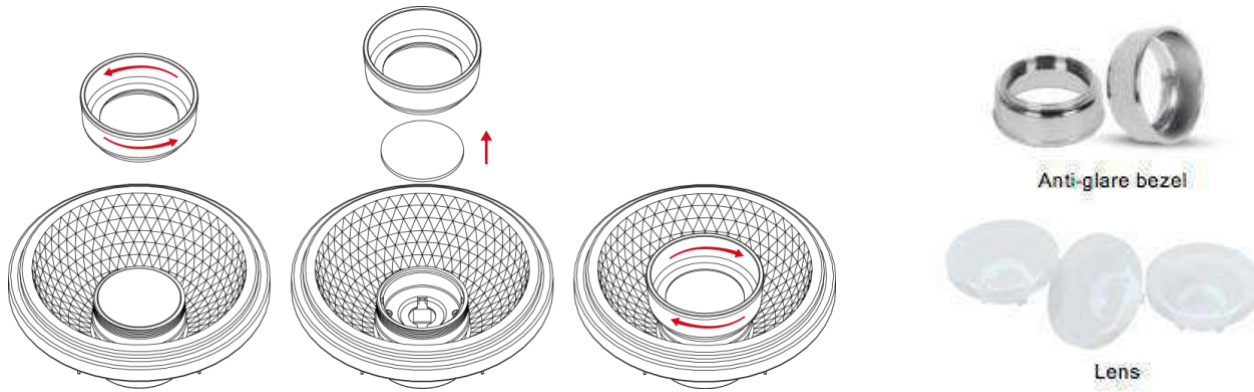


General Characteristics:

POWER:	12W
LED:	CREE/Customized
VOLTAGE:	ADC11-18V
CCT:	2700K, 3000K, 4000K, 5000K
LUMEN OUTPUT:	
	2700K – 84lm/W
	3000K – 88lm/W
	4000K – 92lm/W
	5000K – 100lm/W
CRI:	>80
PF:	0.8
OP. TEMP.:	-10°C - +60°C
LIFESPAN:	50000 hrs
IP:	54
WEIGHT:	103g
FINISH:	Aluminum made. Silver color



✓ INTERCHANGEABLE BEAM ANGLE & ANTI-GLARE

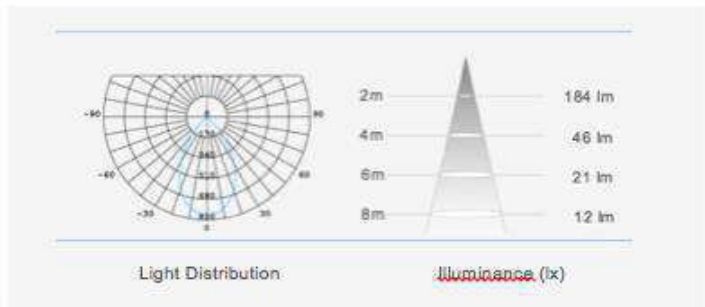
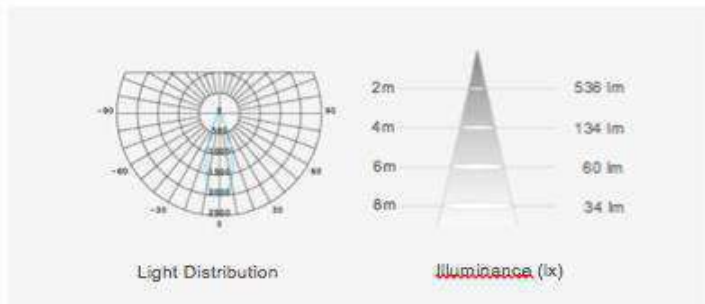
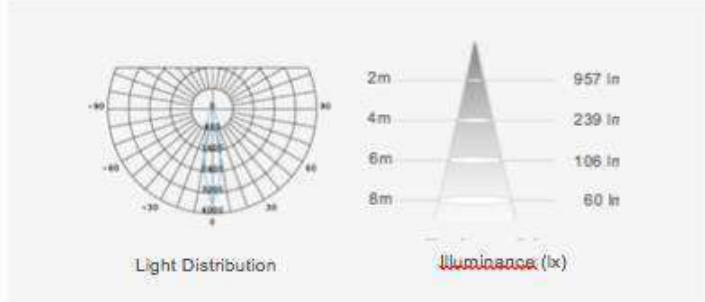


✓ STANDARD SIZE & LIGHT-WEIGHT



✓ HIGH EFFICIENCY & VARIOUS OPTIONS AVAILABLE FOR EVERY NEED

IES test result of spotlight 24° 38° 60°



✓ DESIGN & PERFORMANCE

1. High purity aluminum 1090, lighter and good heat dissipation



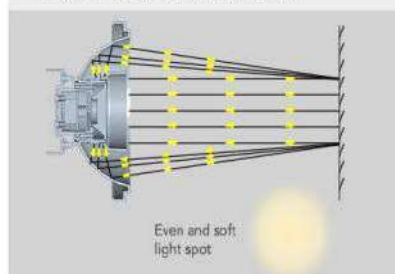
2. Transparent LED fixed base design, higher luminous flux.



3. Small angle reflector to make light all inside one aperture



4. Well-designed optics give the center more illumination.



Cautions:

- Please read the contents on the box and label carefully before installation.
- Don't use in closed/sealed fixtures.
- Check if the specification e.g. voltage, current etc meet the requirements.
- Power must be cut off before installation, replacement and cleaning.
- Don't touch the bulb while it is on or immediately after turning it off.

Remarks:

- Power consumption tolerance: +/- 10%
- Luminous flux & cd tolerance: +/-10%
- Values shown above are CRI>80
- CRI>90 + CRI>95 also available upon request

*Photos, descriptions and details of the product are subject to change without previous notice.

LED G120

Benefits:

- Using high efficiency LED chips
- Simple housing design, easy to install and replace
- Overall cooling design
- Lower maintenance cost
- UV/IR free light
- CRI>80 + CRI>90 available
- E27 or E26 socket base



Applications:

- Homes
- Shops & stores
- Restaurants & cafes
- Hotels
- Galleries & museums
- Offices

General Characteristics:

Item	Watt (W)	Voltage (V)	Luminous Flux (lm)	CRI (Ra)	CCT (K)	Beam Angle (°)	PF
G120-18W	18W	120V/220V	2000lm	≥80	2700K-6500K	200°	0.5/0.9
G120-20W	20W	120V/220V	2200lm	≥80	2700K-6500K	200°	0.5/0.9

Cautions:

- Please read the contents on the box and label carefully before installation.
- Check if the specification e.g. voltage, current etc meet the requirements.
- Dry indoor environment use only.
- Power must be cut off before installation, replacement and cleaning.
- Don't touch the bulb while it is on or immediately after turning it off, wait 15 minutes for bulb to cool down.

Remarks:

- Power consumption tolerance: +/- 10%.
- Luminous flux & cd tolerance: +/-10%
- Working temp. -20°C – 40°C.
- Length: 152mm – Diameter: 120mm
- Approx. 10-15% less lumen with CRI90 or dimmable versions.

*Photos, descriptions and details of the product are subject to change without previous notice.

